



252.633.2155  
800.487.2335  
**rightparts.com**

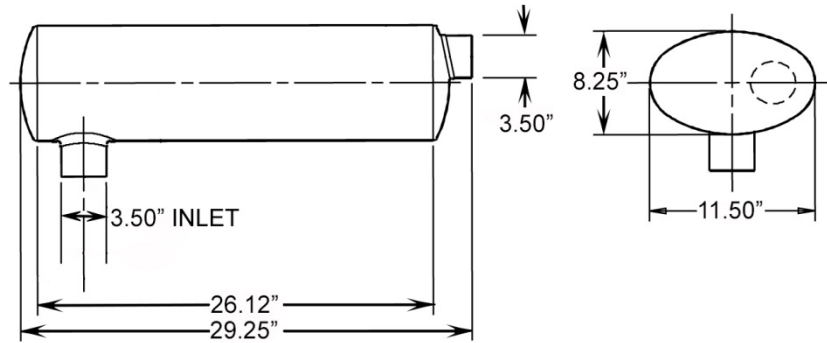
## MUFFLERS | Quick Guide



Contents	Page
Barko	2
Caterpillar	3
Franklin	4-5
John Deere	6-10
Prentice, Hydro-Ax	11-12
Tigercat	13
Timberjack	14-17

Manufacturers' names and part numbers are for reference purposes only. We do not suggest or imply that any item is that of or is endorsed by the original manufacturer.

535-00389 or 53500389 Muffler



API # 30764000

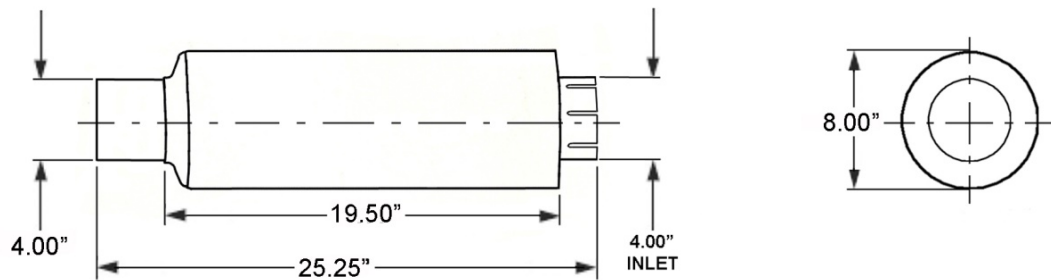
Applications: Barko Log Loaders – Models - 160A, 160B, 160C, 160D, 160E, 275, 275A, 275B & 275E,



252.633.2155  
800.487.2335  
[rightparts.com](http://rightparts.com)

Manufacturers' names and part numbers are for reference purposes only. We do not suggest or imply that any item is that of or is endorsed by the original manufacturer.

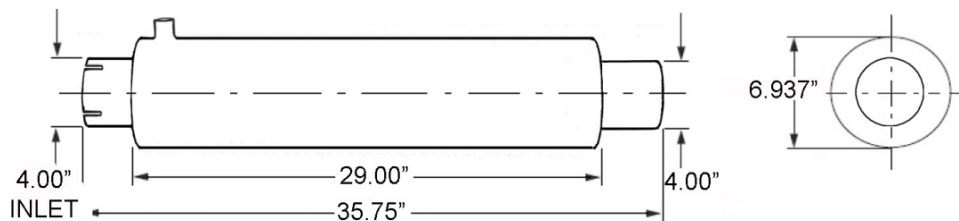
**9S9328 Muffler**



API # 30738000

Applications: CAT Skidders – Models: 515, 518, 518C, 525, 527

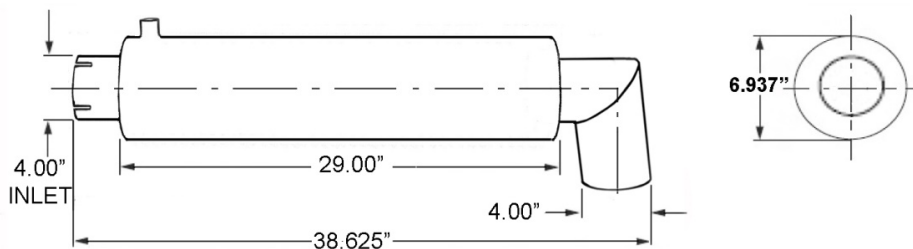
**166-1242 or 1661242 Muffler**



API # 30738001

Applications: CAT Skidders - 525B S/N 3KZ1 to 3KZ795 & 3KZ797 to 3KZ874, 535B S/N AAE1 TO AAE582

**217-8513 or 2178513 Muffler**



API # 30738002

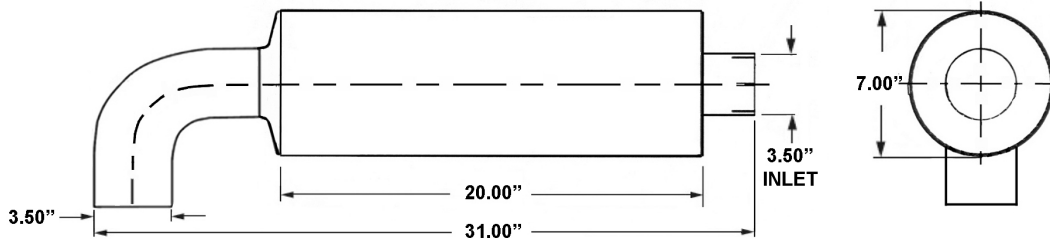
Applications: CAT Skidders - 525B S/N 3KZ796, 3KZ875 & Up, 535B S/N AAE583 & Up



252.633.2155  
800.487.2335  
[rightparts.com](http://rightparts.com)

Manufacturers' names and part numbers are for reference purposes only. We do not suggest or imply that any item is that of or is endorsed by the original manufacturer.

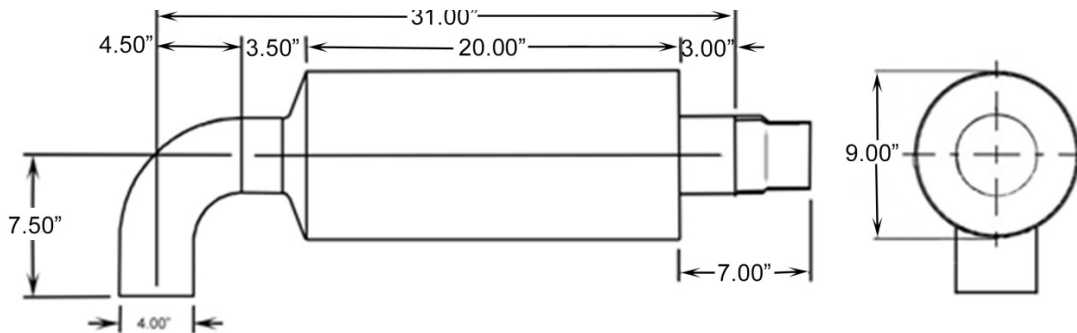
1511393 Muffler



API # 30710000

Applications Forestry - Pack-A-Back & Porter - 170 P/PAB, 670 Bogie Axle P/PAB, 670P/PAB & C6F P/Porter  
 Skidders - 170 PT Cable & Grapple, 170 S2 PT Cable, 405 PT Cable, 405 S2 PT Cable, 560 PT Cable & Grapple, C6F PT Cable & C7F PT Grapple

1056939 Muffler



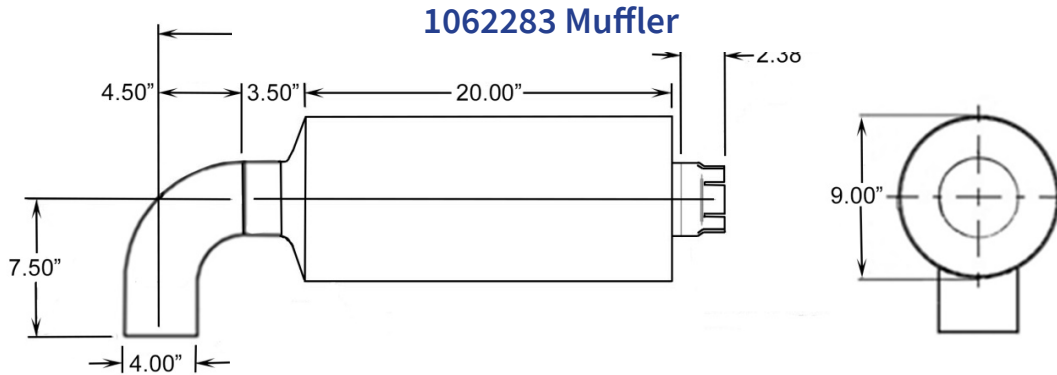
API # 30710004

Applications: Agricultural and Industrial - 170 PT Fertilizer Spreader, 170 PT Ash Hauler & 170 PT Utility Forestry - Pack a Back 170 P/PAB, Skidder 170 PT Grapple, 185 S2 PT cable, C7F PT Cable & C7F PT Grapple



252.633.2155  
 800.487.2335  
[rightparts.com](http://rightparts.com)

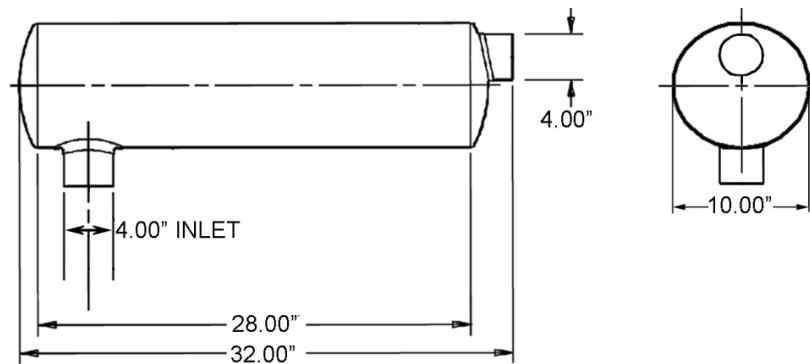
Manufacturers' names and part numbers are for reference purposes only. We do not suggest or imply that any item is that of or is endorsed by the original manufacturer.



API # 30710006

Applications: Agricultural - 170 PT Fertilizer Spreader  
 Forestry - Pack-A-Back - 670 PAB Bogie Axle  
 Skidders - 170 S2 PT Cable, 170 T2 PT Cable & Grapple, 170 T3 PT Cable, 185 S2 PT Cable & Grapple, 185 T1 PT Grapple, 185 T2 PT Grapple, 185 T3 PT Cable & Grapple, Q70 PT Grapple, Q70B PT Grapple, Q80 PT Cable & Grapple

1504924 Muffler



API # 30764001

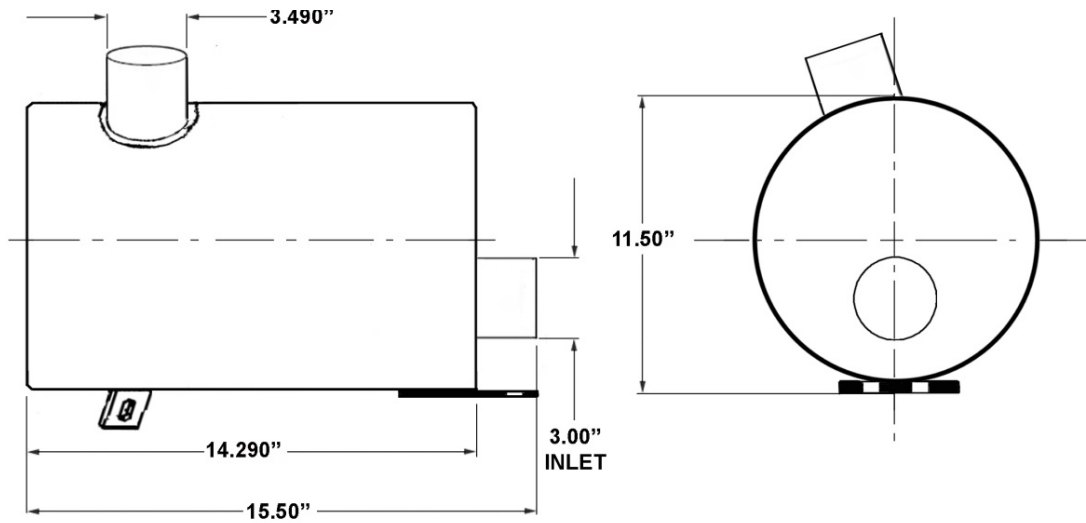
Applications: Franklin Feller Bunchers - 5002, 5003, 5005  
 Franklin Front End Loaders - 170 PSL, 170 PTL, 170 PL, 5001 HTL, 5002 HTL, 5003 HTL, 5004 HTL  
 Franklin Pack-A-Back - 132 P/PAB, 170 Bogie H/PAB, 170 Bogie P/PAB, 170 P/PAB, 670 Bogie P/PAB 670 P/PAB, H70 Bogie H/PAB  
 Franklin Skidder - 170PT, 170 PT Grapple, 170 T, 405 PT, 405 PT Grapple, 405 T, 462 PT Grapple, 560 PT, 560 PT Grapple, 660 PT Grapple  
 Tree Farmer Porter - C5F Bogie Porter, C5F Porter, C6F Bogie Porter, C6F H/Bogie Porter  
 Tree Farmer Skidder - C6F PT, C6F PT Grapple, C6F T, C7F PT, C7F PT Grapple  
 Tree Farmer Utility - C6F Utility



252.633.2155  
 800.487.2335  
[rightparts.com](http://rightparts.com)

Manufacturers' names and part numbers are for reference purposes only. We do not suggest or imply that any item is that of or is endorsed by the original manufacturer.

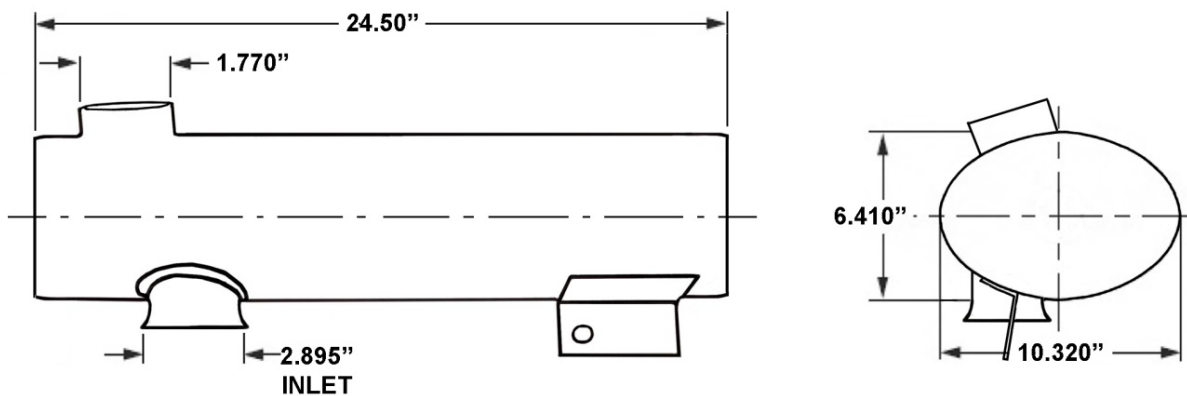
**AT44060 Muffler**



API # 30706001

Applications: John Deere Skidders  
 Machine Models: 640, 640D, 648D  
 Includes Mounting Brackets

**AT53007 Muffler**



API # 30706002

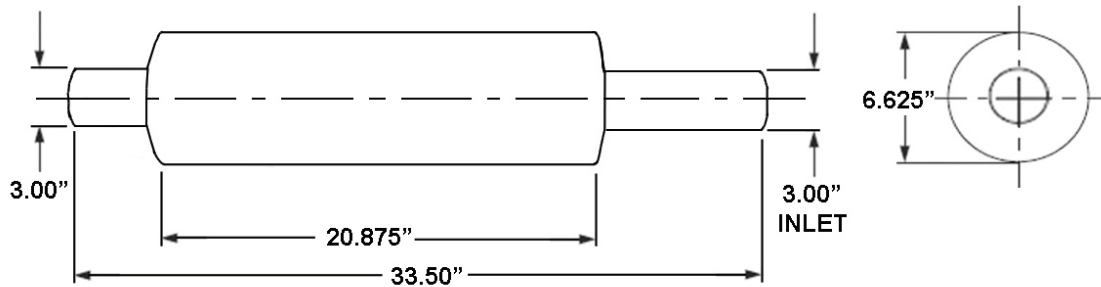
Applications: John Deere Skidders  
 Machine Models; 440C, 440D, 448D, 540B, 540D, 548D  
 Includes Mounting Brackets



252.633.2155  
 800.487.2335  
[rightparts.com](http://rightparts.com)

Manufacturers' names and part numbers are for reference purposes only. We do not suggest or imply that any item is that of or is endorsed by the original manufacturer.

AT165556 Muffler

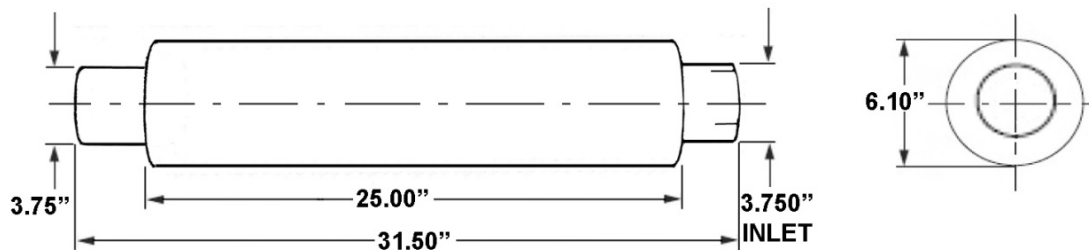


API # 30706003

Applications: John Deere Skidders

Machine Models: 540E, 540G, 640E, 640G, 548E, 548G, 648E, 648G,

AT183003, AT189383, AT332273 and F123167 Muffler



API # 30706004

Applications: John Deere Skidders - 540G-II, 540G-III, 540H, 548G-II, 548G-III, 548H, 640G-II, 640G-III, 640H, 648G-II, 648G-III, 648H, 748G-II, 748G-III, 748H, 848H  
 Timberjack Skidders - 360DC, 360DG, 460DC, 460DG, 560DG, 660D, 648HTJ, 748HTJ 848H & 848HTJ

**Note:** To replace AT183003 muffler use 1 of 33806004 (AT325942) Pipe, 1 of 30706004 (AT332273) Muffler, 2 of T159018 Cover (Deere Supplied Only), & 4 of 19M7785 Screw

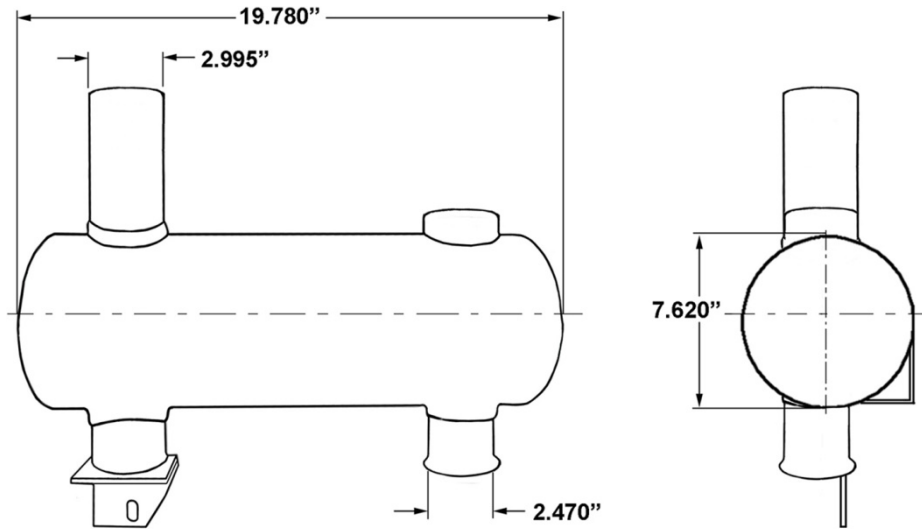
Exhaust Kit 58606000 includes muffler, exhaust & tail pipes & clamps for 748G –III  
 Exhaust Kit 58606001 includes muffler, exhaust & tail pipes & clamps for the H series machines models 640 through 848.



252.633.2155  
 800.487.2335  
[rightparts.com](http://rightparts.com)

Manufacturers' names and part numbers are for reference purposes only. We do not suggest or imply that any item is that of or is endorsed by the original manufacturer.

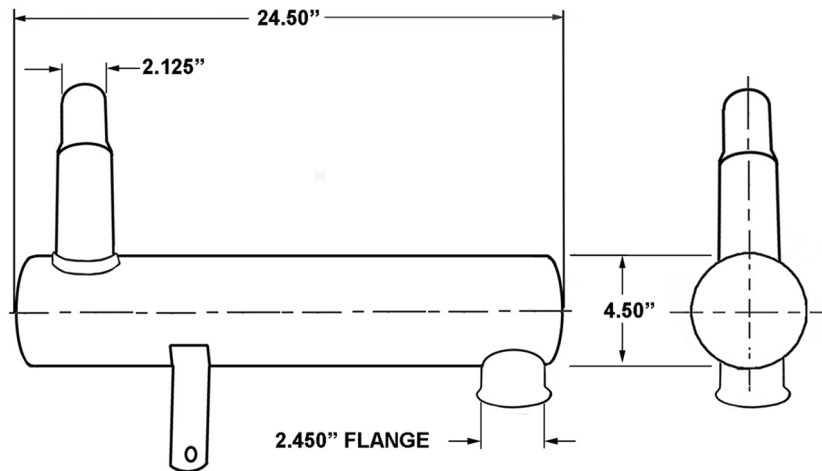
**AT64852 and AT83613 Muffler**



API # 30706007

Applications & Machine Models: John Deere Backhoes: 210C, 300D, 310C, 310D, 315C, 315D, 410B, 410C, 410D, 415B, 510B, 510C, 510D, 515B & 610C  
 Crawler Bull Dozers: 400G, 450E, 450G, 550G & 650G  
 Crawler Loaders: 455E, 455G & 555G

**AT19157 Muffler**



API # 30706008

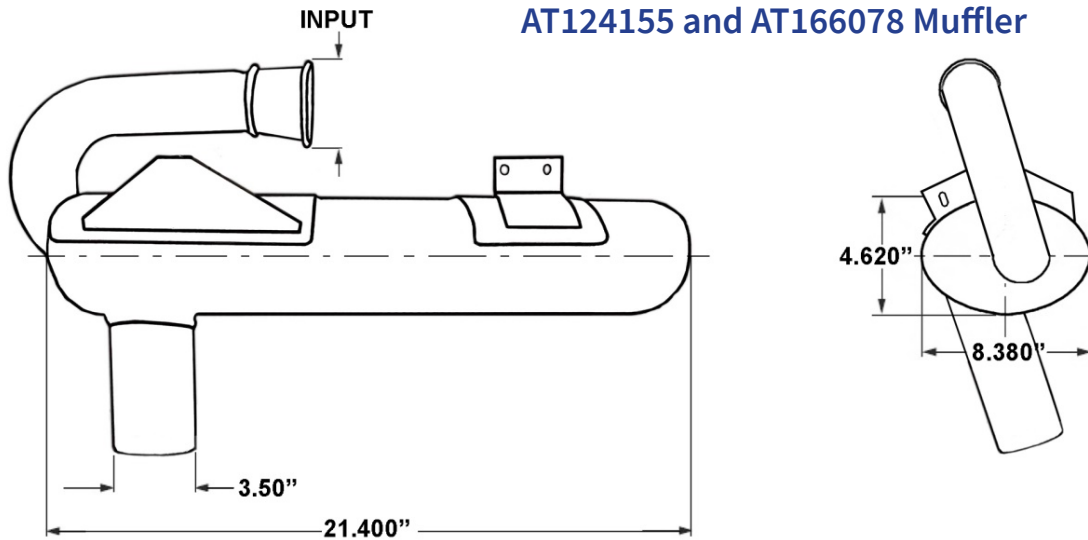
Applications & Machine Models: Applications: Crawler Bulldozers, Loaders & Tractors  
 - 450 Tractor, 450B Tractor, 450C Bulldozer, 450C Loader Machines without Turbo  
 Charged Engines  
 Includes mounting bracket



252.633.2155  
 800.487.2335  
[rightparts.com](http://rightparts.com)

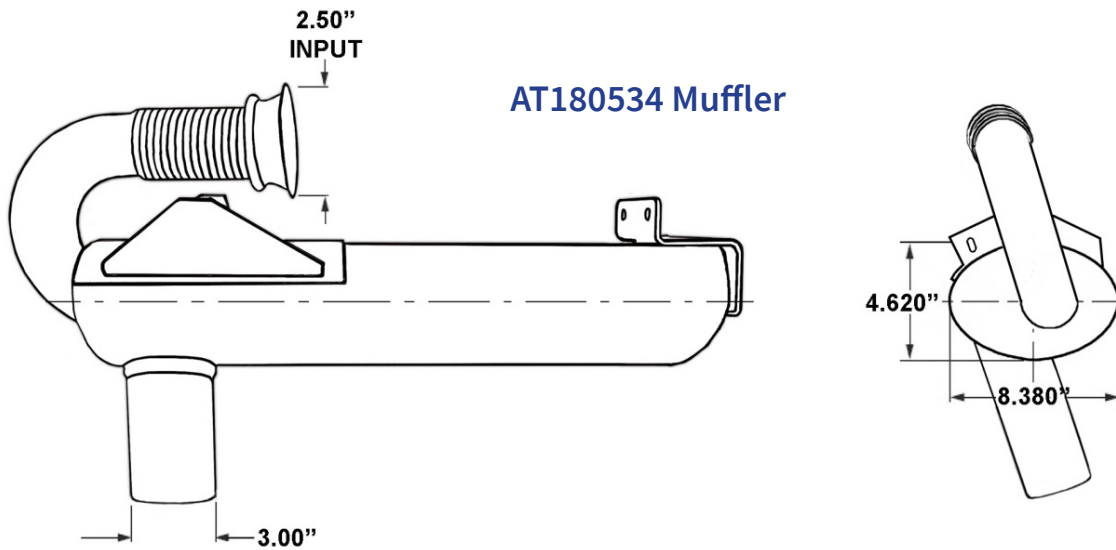
Manufacturers' names and part numbers are for reference purposes only. We do not suggest or imply that any item is that of or is endorsed by the original manufacturer.





API # 30706017

Applications & Machine Models: Crawler Bulldozers - 450G, 550G & 650G  
 Crawler Loaders - 455G & 555G - Serial Numbers 840460 and Down with Turbo  
 Charged Engine - Includes mounting brackets



API # 30706018

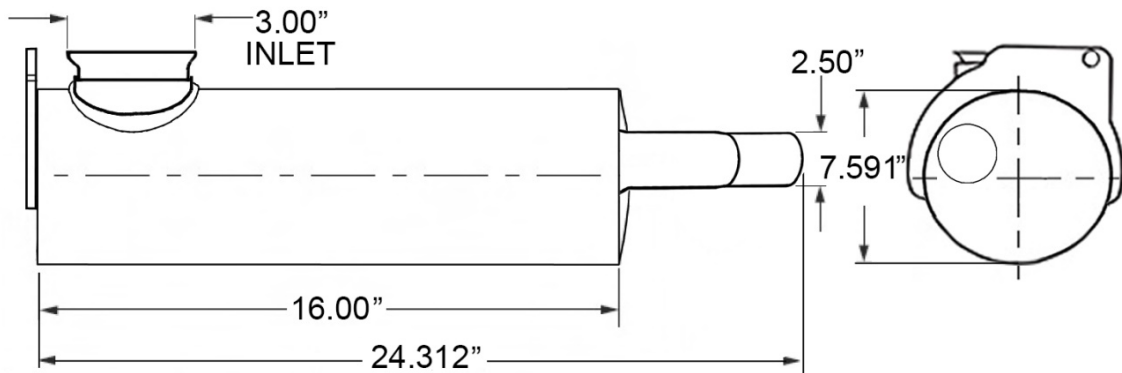
Applications & Machine Models: Crawler Bulldozers - 450G, 550G & 650G  
 Crawler Loaders - 455G & 555G  
 Serial Number 840461 and Up with Turbo Charged Engine  
 Includes mounting brackets



252.633.2155  
 800.487.2335  
[rightparts.com](http://rightparts.com)

Manufacturers' names and part numbers are for reference purposes only. We do not suggest or imply that any item is that of or is endorsed by the original manufacturer.

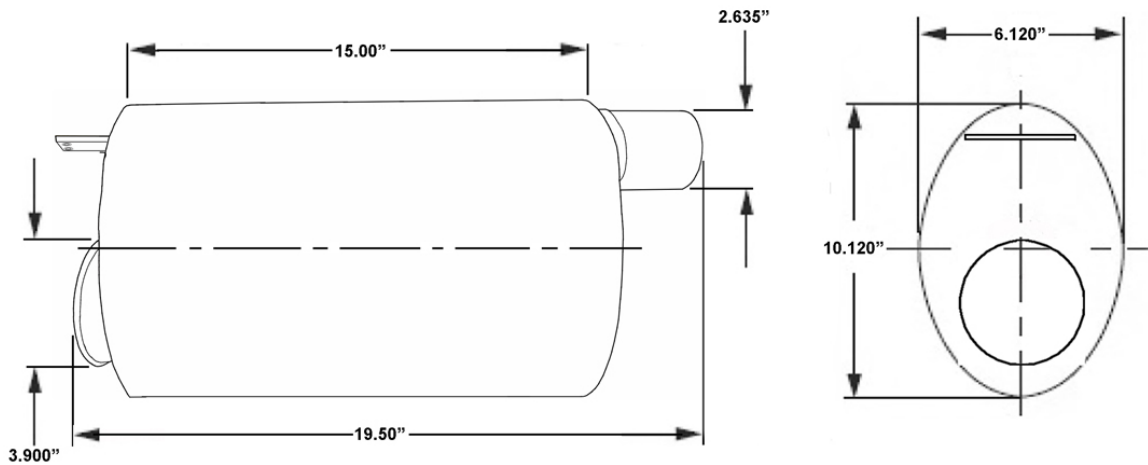
AT220299 Muffler



API # 30706021

Applications & Machine Models: Excavators 230LCR & 230LCRD  
 Crawler Bulldozers 450H, 450J, 550H, 550J, 650H & 650J  
 With Turbo Charged Engine  
 Includes mounting brackets

AT47110 Muffler



API # 30706022

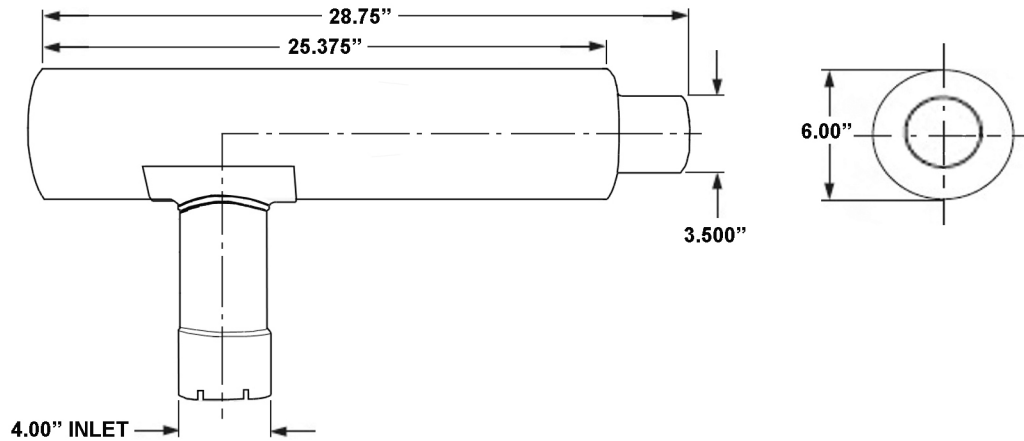
Applications & Machine Models: Crawler Bulldozers - 450D, 450E, 550, 550A & 550B  
 Crawler Loaders - 344G, 444G, 455D, 455E, 555, 555A & 555B  
 Includes mounting brackets



252.633.2155  
 800.487.2335  
[rightparts.com](http://rightparts.com)

Manufacturers' names and part numbers are for reference purposes only. We do not suggest or imply that any item is that of or is endorsed by the original manufacturer.

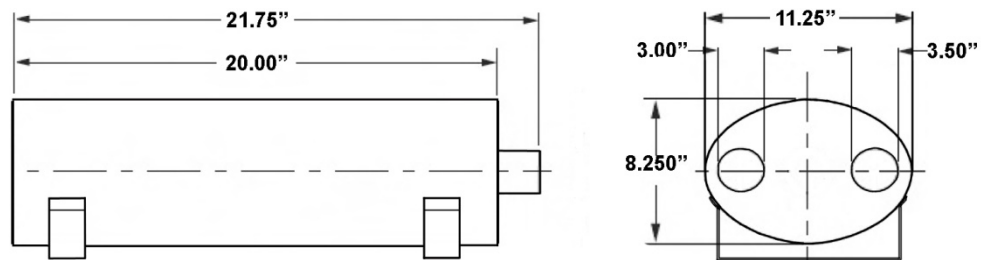
10001935 Muffler



API # 30723000

Applications; Prentice Loaders  
 Machine Models: 210D, 210E, 2180, 410D, 410DX,  
 410E, 410EX, CRX410D, CRX410E, T180D

10012898 Muffler



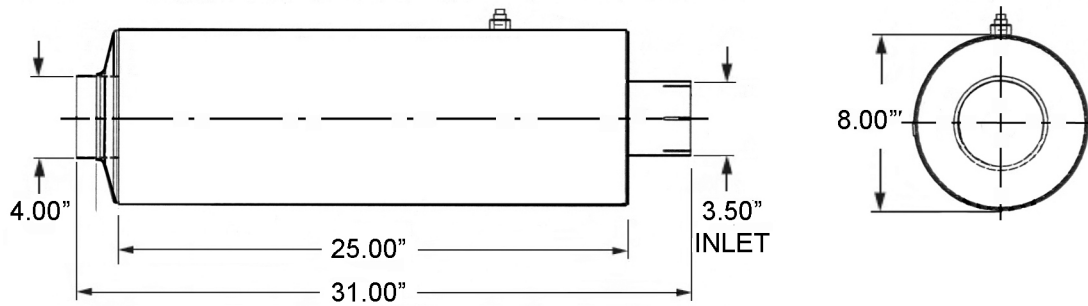
API # 30715000

Applications: Hydro-Ax Feller Bunchers  
 Machine Models: 411E, 411EX, 511E, 511EX, 611E, 621E  
 Includes the mounting brackets on each end of the muffler



252.633.2155  
 800.487.2335  
[rightparts.com](http://rightparts.com)

Manufacturers' names and part numbers are for reference purposes only. We do not suggest or imply that any item is that of or is endorsed by the original manufacturer.

**10060613 Muffler**

API # 30729004

Prentice Skidders – Models: 490, 490B, 2430, 2432 Tier 2 &amp; 2432 Tier 3.

CTR Skidders – Models: 950, 950B Single Arch, 950B Dual Arch Tier 2 &amp; 950B Dual Arch Tier 3.

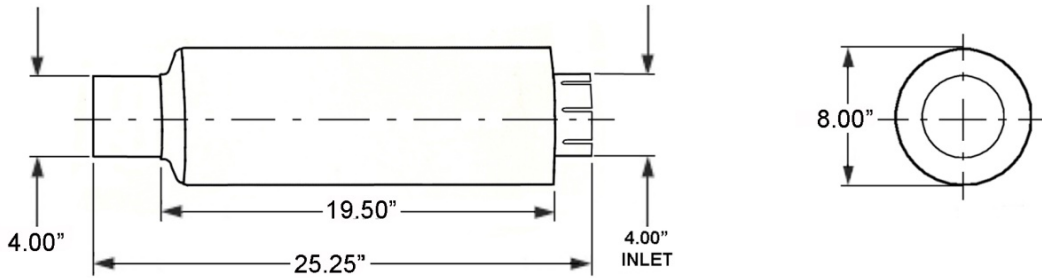
Use 33829016 (F288045) outlet pipe when replacing the muffler on Prentice machines.



252.633.2155  
800.487.2335  
[rightparts.com](http://rightparts.com)

Manufacturers' names and part numbers are for reference purposes only. We do not suggest or imply that any item is that of or is endorsed by the original manufacturer.

**BH135 Muffler**



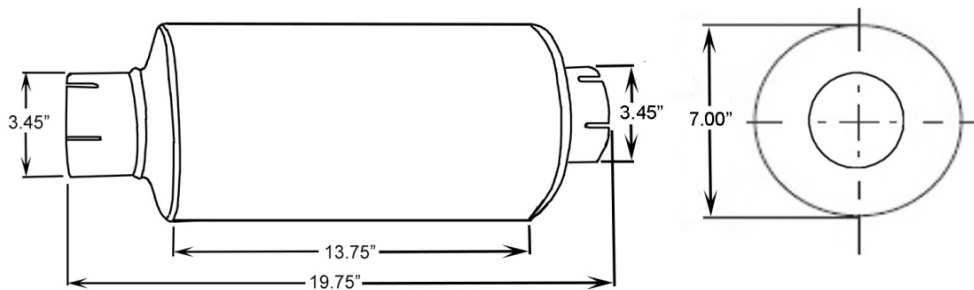
API # 30738000

Applications - Tigercat – Feller Bunchers: 720B, 720C, 720D, 724, 724D

Forwarders: 1014, 1018, 1055, 1065, 1075

Loaders: 230B, 240B, T240B Mulcher: M724D, Skidders: 620, 620C, 620D, 625C, 630, 630B, 630C, 630D, 635, 635C, 635D, C630B, C640, C640C, E625C

**BH084 Muffler**



AMP # 30776001

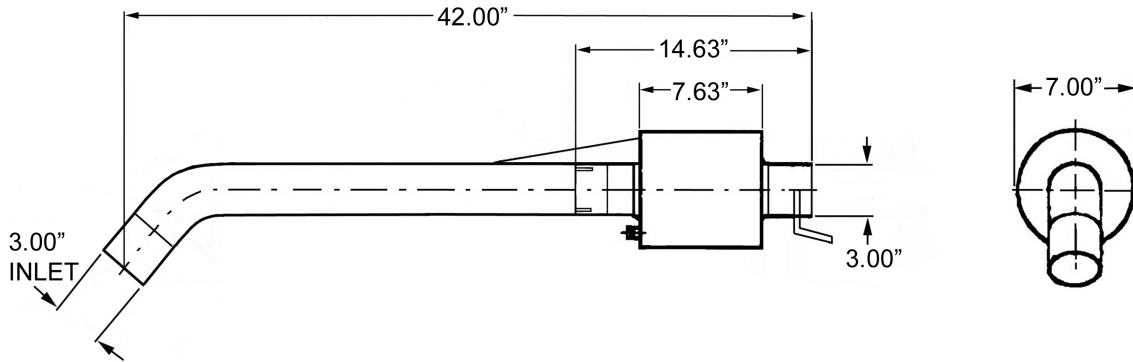
Applications - Tigercat - Feller Bunchers: 720, 720B, 720C, 720D, Loaders: 230, 230B, 240B, T240, T245



252.633.2155  
800.487.2335  
[rightparts.com](http://rightparts.com)

Manufacturers' names and part numbers are for reference purposes only. We do not suggest or imply that any item is that of or is endorsed by the original manufacturer.

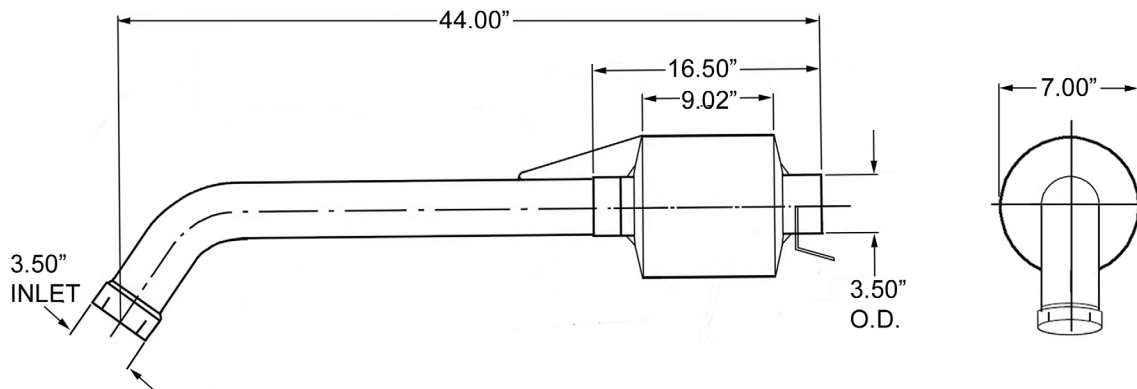
823317900 and/or 822791000 Spark Arrestor Muffler



API # 30724001

Spark Arrestor Muffler  
 Applications: Timberjack Skidders  
 Models: 208, 225,230  
 Includes mounting bracket

823318600 and/or 822798600 Spark Arrestor Muffler



API # 30724002

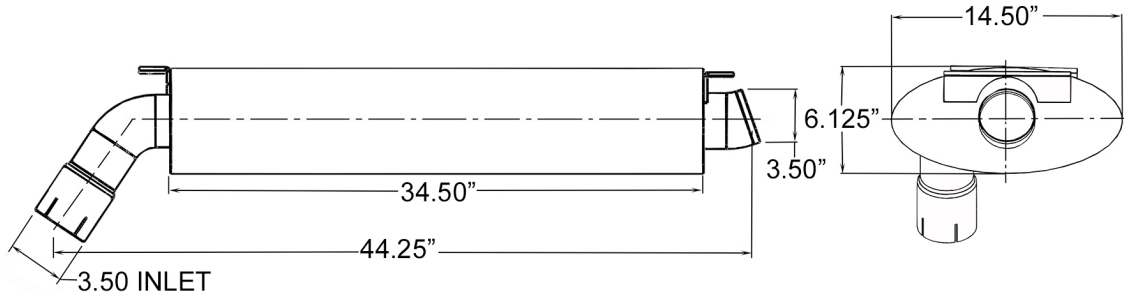
Spark Arrestor Muffler  
 Applications: Timberjack Skidders  
 Models: 240  
 Includes mounting bracket



252.633.2155  
 800.487.2335  
[rightparts.com](http://rightparts.com)

Manufacturers' names and part numbers are for reference purposes only. We do not suggest or imply that any item is that of or is endorsed by the original manufacturer.

825965300 and 825072900 Muffler

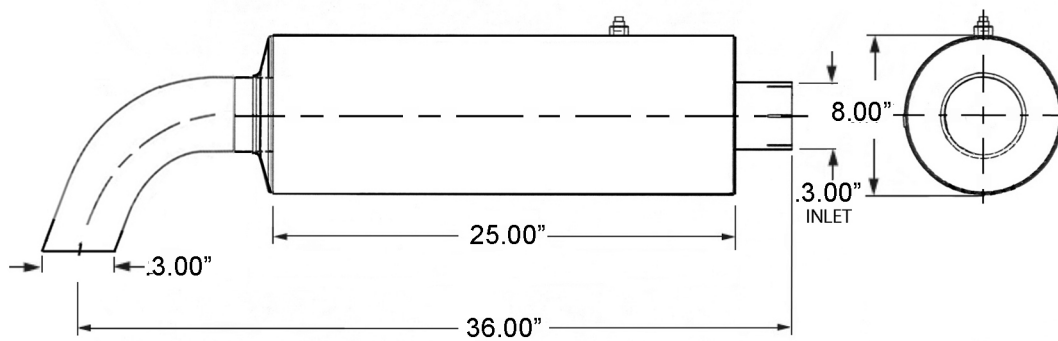


API # 30729001

Applications: Timberjack Skidders – Models: 230, 240, 350, 380, 450 & 480

Includes heat blanket & mounting brackets

F120752 Muffler



API # 30729003

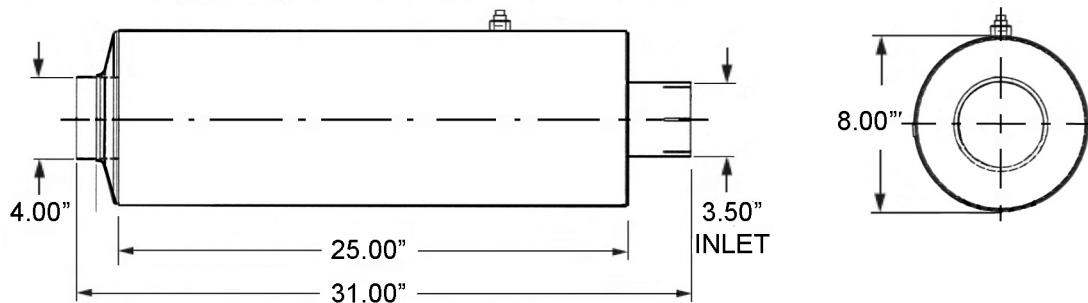
Applications: Timberjack Skidders - 360, 360E, 460, 460E Machine Serial Numbers 974174 thru 985712



252.633.2155  
800.487.2335  
rightparts.com

Manufacturers' names and part numbers are for reference purposes only. We do not suggest or imply that any item is that of or is endorsed by the original manufacturer.

**F122171 and F122635 Muffler**

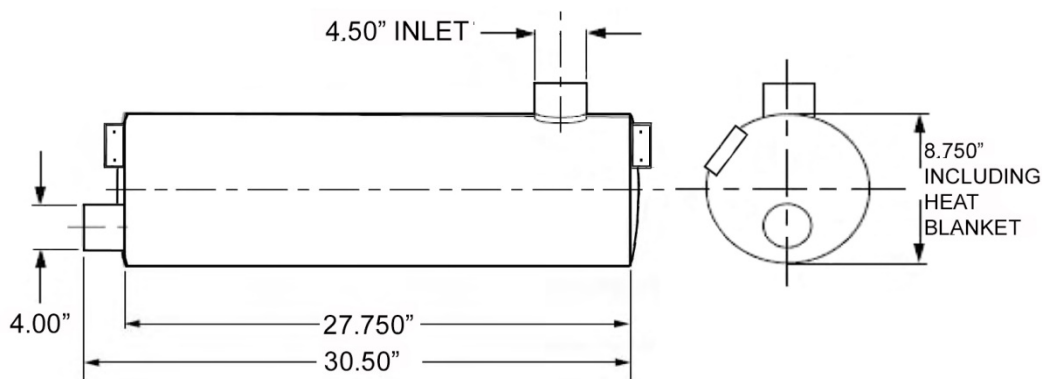


API # 30729004

.Applications: Timberjack Skidders – Models: 360, 360E, 460, 460E - Machine Serial Numbers 985713 thru 10EB1276 & Serial Numbers 10EB1277 & Up.

A 33829028 Tail Pipe Tube will be needed when replacing Timberjack part number F122635 muffler.

**F122008 and F122009 Muffler**



API # 30729006 & 30729007

Applications: Timberjack Skidders - 560 & 560C, 660 & 660C - Machine Serial Numbers CE2001 thru to end of production

Applications: Timberjack Skidders - 660 & 660C - Machine Serial Numbers CE2001 thru 10EC1079 & Up.

The muffler Includes the heat blanket & the mounting brackets on each end of the muffler.

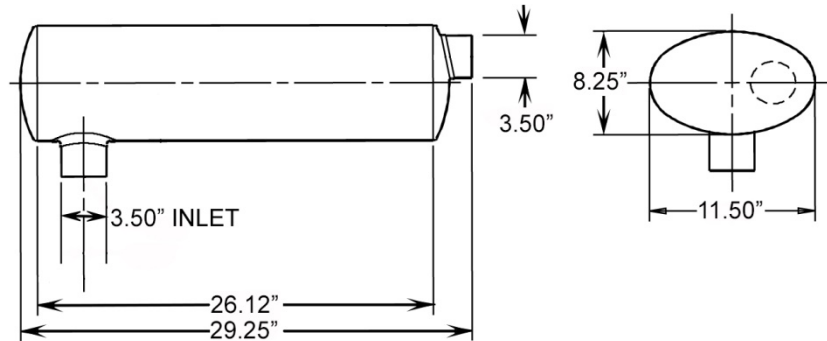


252.633.2155  
800.487.2335  
[rightparts.com](http://rightparts.com)

Manufacturers' names and part numbers are for reference purposes only. We do not suggest or imply that any item is that of or is endorsed by the original manufacturer.



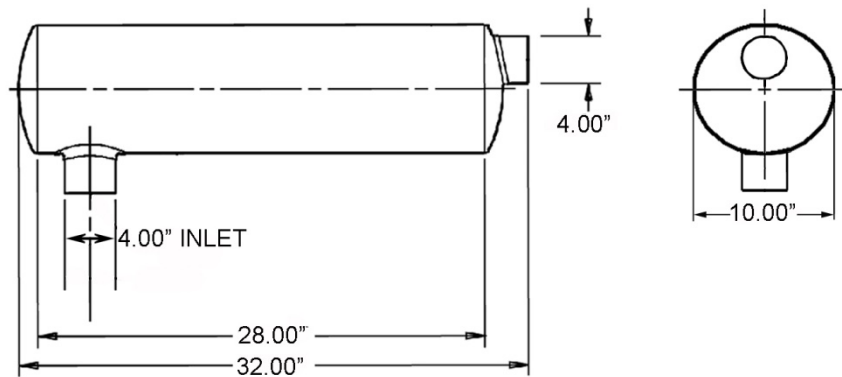
842973900 Muffler



API # 30764000

Timberjack Log Loaders – Models: 330 & 430 with Cummins Engine

810821600 Muffler



API # 30764001

Timberjack Log Loader – Models: 330 & 430 with John Deere Engine



252.633.2155  
800.487.2335  
rightparts.com

Manufacturers' names and part numbers are for reference purposes only. We do not suggest or imply that any item is that of or is endorsed by the original manufacturer.