

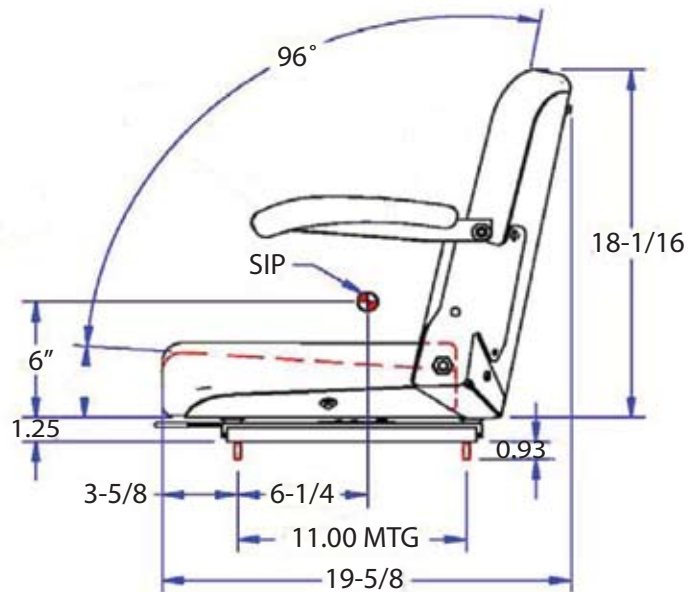
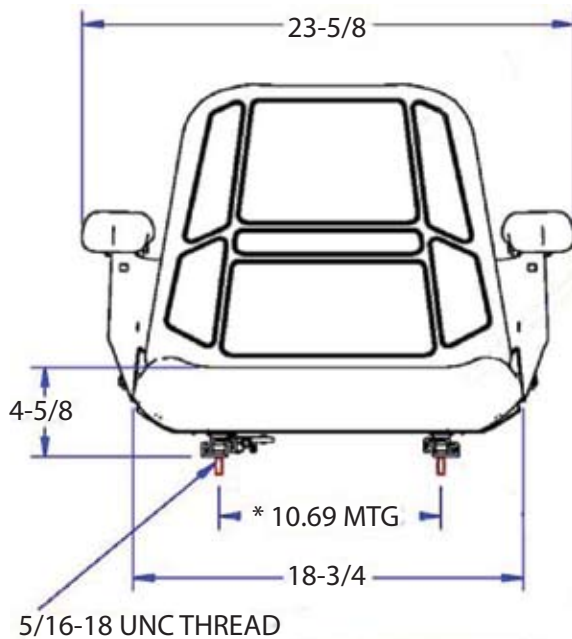
SEATS

API # 39929002

Square Low Back Seat with slide adjusters & vinyl cover • contoured cushions for water drain off • no armrests or suspension

Log Skidders - Early 200 Series Timberjack machines also can be used on mining & Forklifts, Backhoes, Cranes, Pavers, Tractors, Trenchers, & Rollers

This seat is less expensive alternative to 39935001 & 3993503



* OPTIONAL FIELD ADJUSTABLE TRACK MOUNTINGS
8.00", 9.50", 10.69"-11.25"

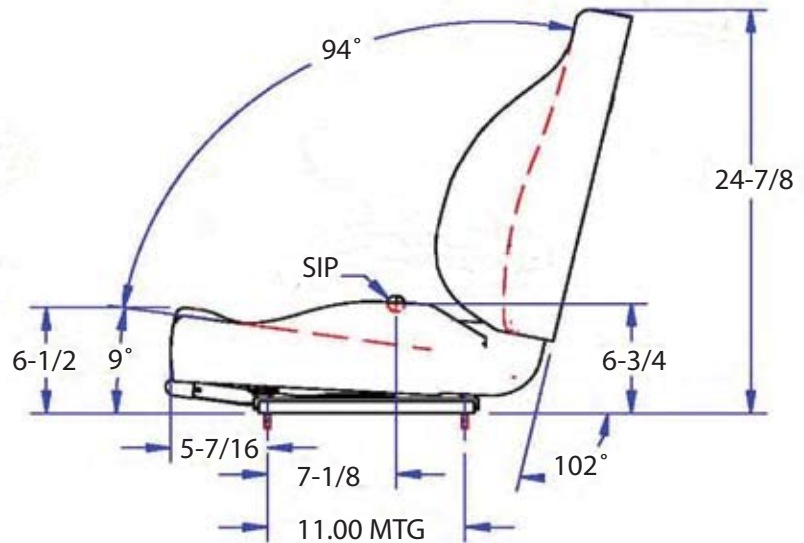
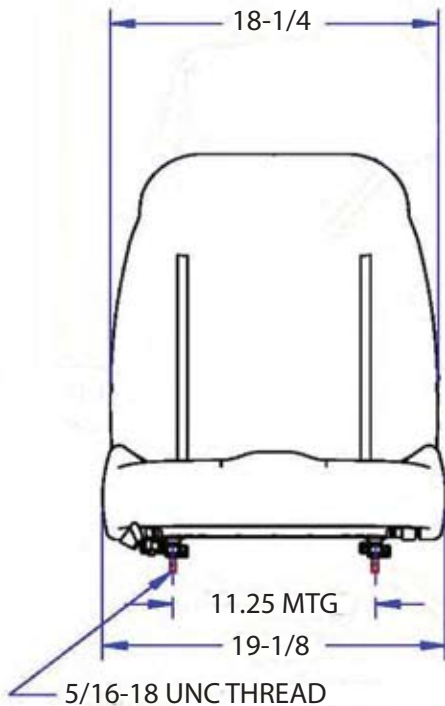
SEATS

API # 39935001

Square Mid Back Seat with slide adjusters & vinyl cover • no armrests or suspension

Log Skidders - Early 200 Series Timberjack machines also can be used on mining & on construction equipment such as pavers & rollers

Same as 39935003 but no armrests

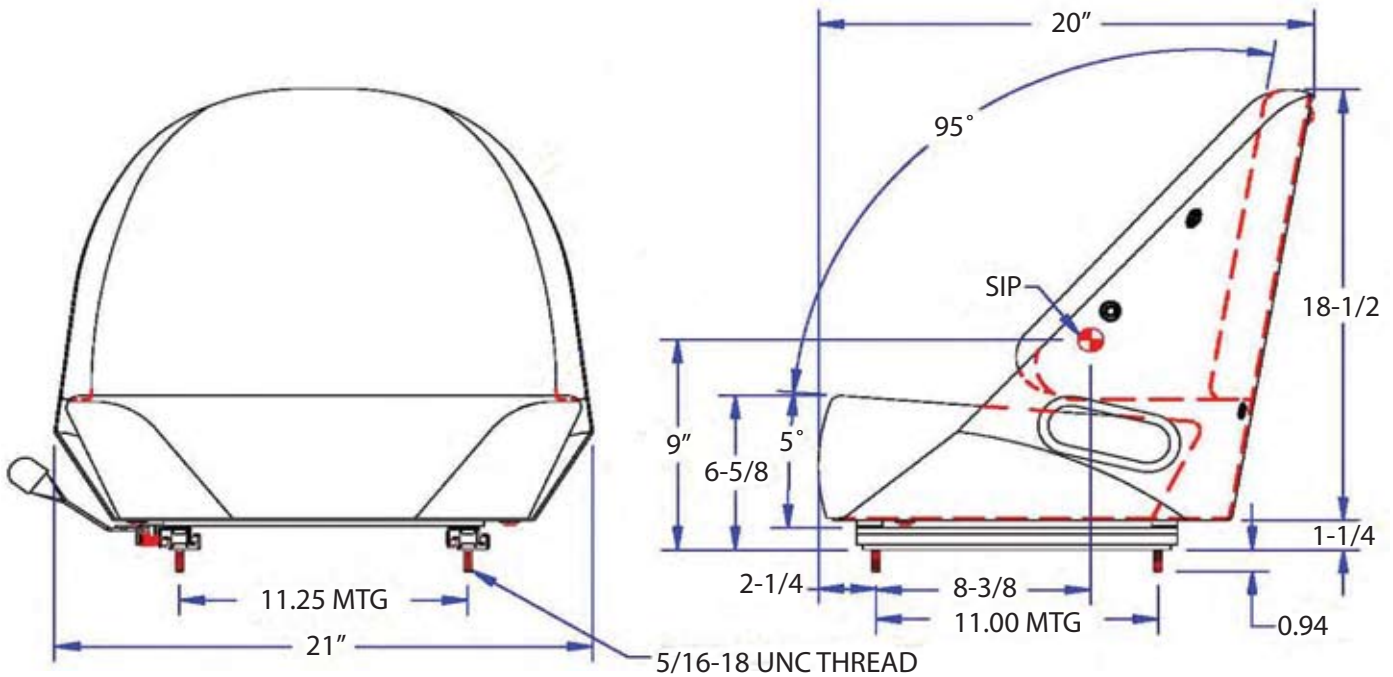


SEATS

API # 39935002

Round or Wrap Around Seat Back with slide adjusters & vinyl cover, no suspension

Log Skidders - Pre Suspension 200 series, 300 series, 400 series & 500 series
Timberjack machines
Franklin & Ranger also can be used on construction equipment such as
pavers & rollers



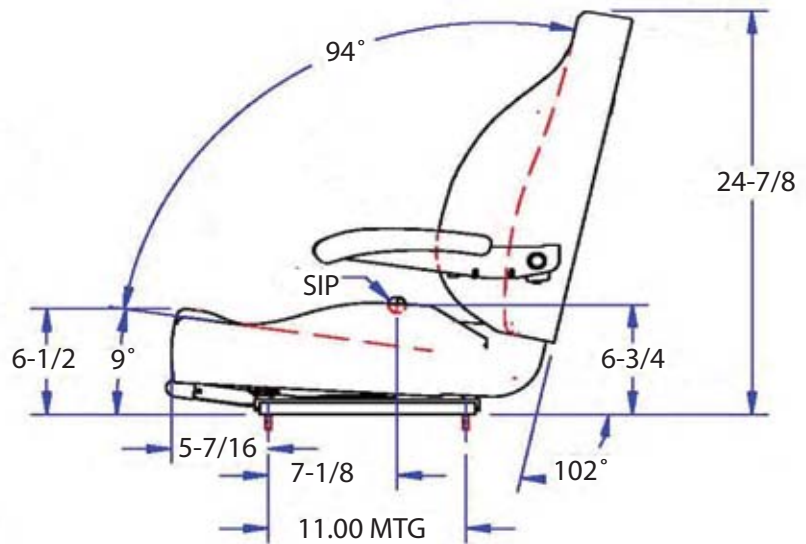
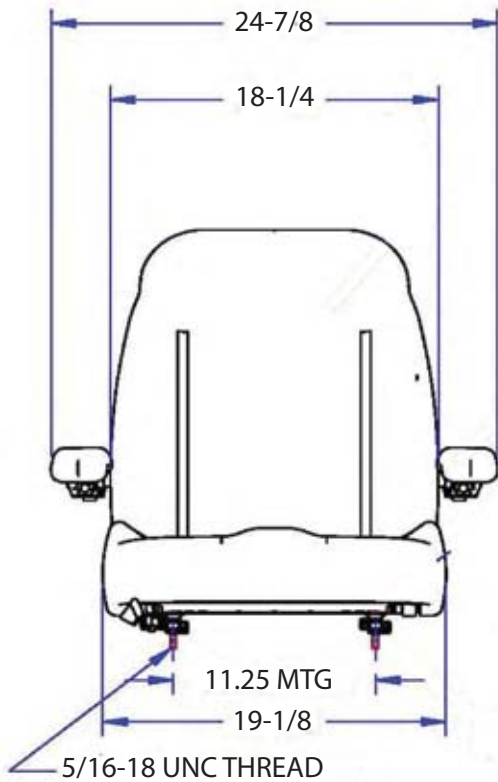
SEATS

API # 39935003

Square Mid Back Seat with slide adjusters, armrests and vinyl cover, no suspension

Log Skidders - Early 200 Series Timberjack machines also can be used on mining & on construction equipment such as pavers rollers

Same as 39935001 but with armrests

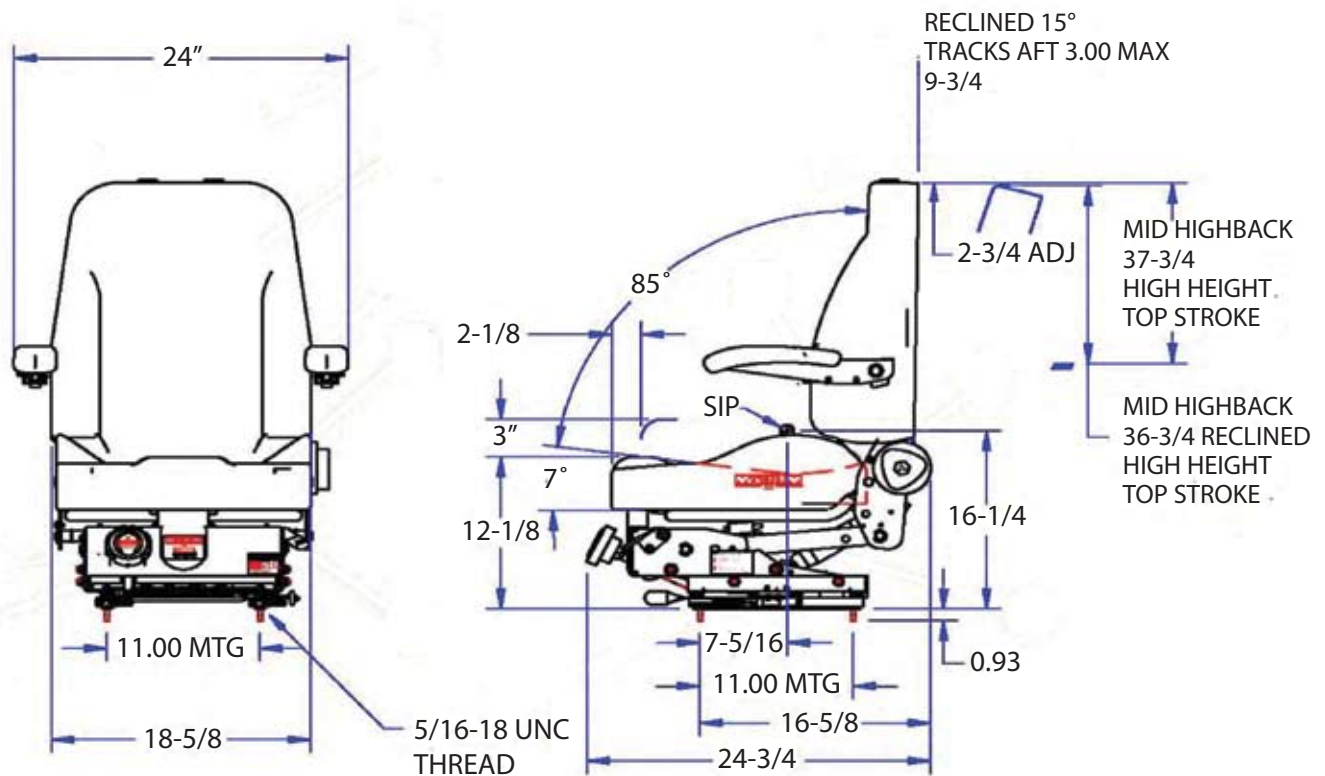


SEATS

API # 39974001

Mechanical Suspension • Vinyl cover with armrests

Log Skidders - John Deere Models . . . E and G skidders
Timberjack Models 1985 & Up 380 & 450 & 360 thru 660C
CAT Dozers - D3B, D3C LGP, D3C LGP III, D3C XL II, D4C LGP III, D4C XL II, D4H



* OPTIONAL FIELD ADJUSTABLE TRACK MOUNTINGS 12.00" & 13.00"
NOTE: Proper length tie-wire must be ordered when modifying track mounting.

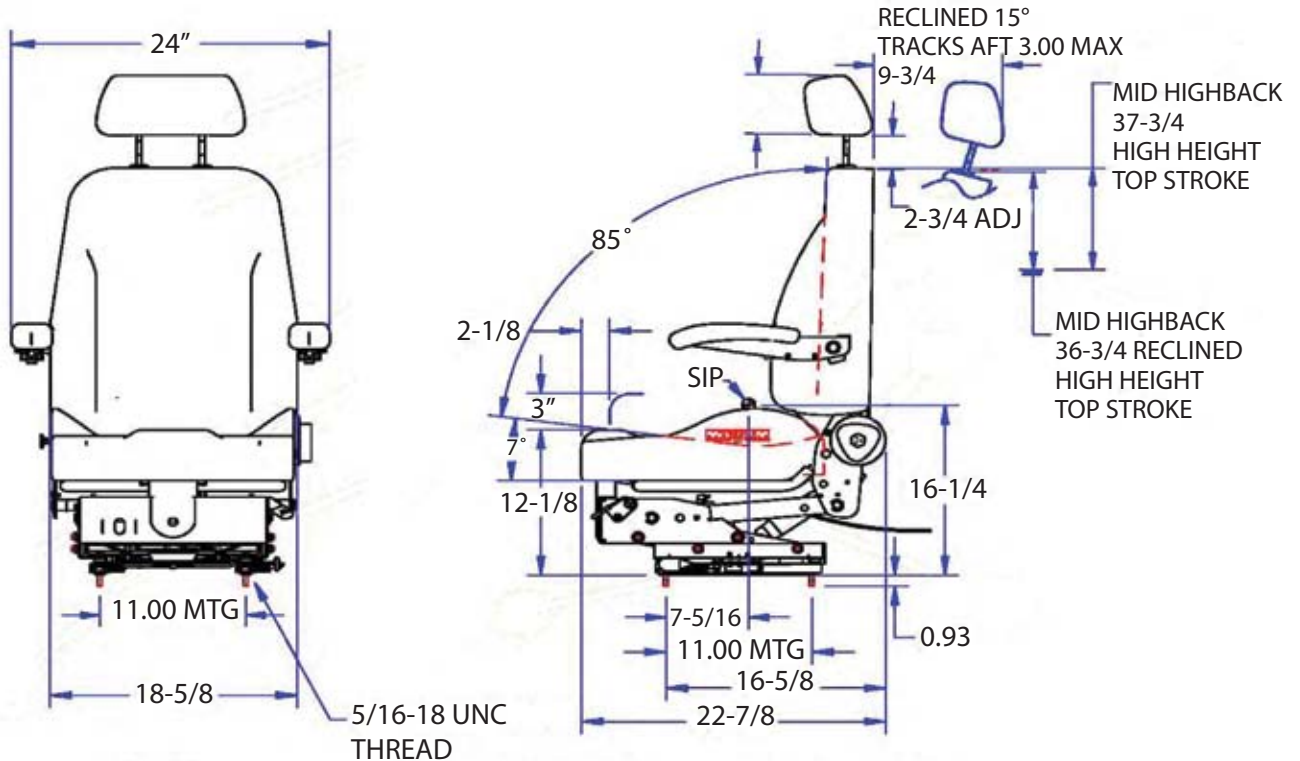
SEATS

API # 39974012

Air Suspension • Cloth cover with armrests

Log Skidders - John Deere . . . GII thru 848H skidders
 Timberjack . . .360 thru 660C

Safety switch not included



* OPTIONAL FIELD ADJUSTABLE TRACK MOUNTINGS 12.00" & 13.00"
 NOTE: Proper length tie-wire must be ordered when modifying track mounting.

SEATS

API # 59376000

Universal Adapter Plate that will aid in the mounting of seats without having to modify the seat or machine.

Works with all the seats stocked by Aftermarket Parts.

